

SUNNY STRING-MONITOR

SSM 8 / SSM 16



SSM 8-21-BS/SSM 16-21-BS



Safe

- Precise monitoring and detection of string failures
- Improved plant and module safety

Robust

- Glass-fiber reinforced plastic enclosure for outdoor installation
- Robust enclosure for wall and base mounting

Flexible

- Matching fuses for each module type
- Easy and flexible connection possibilities

Profitable

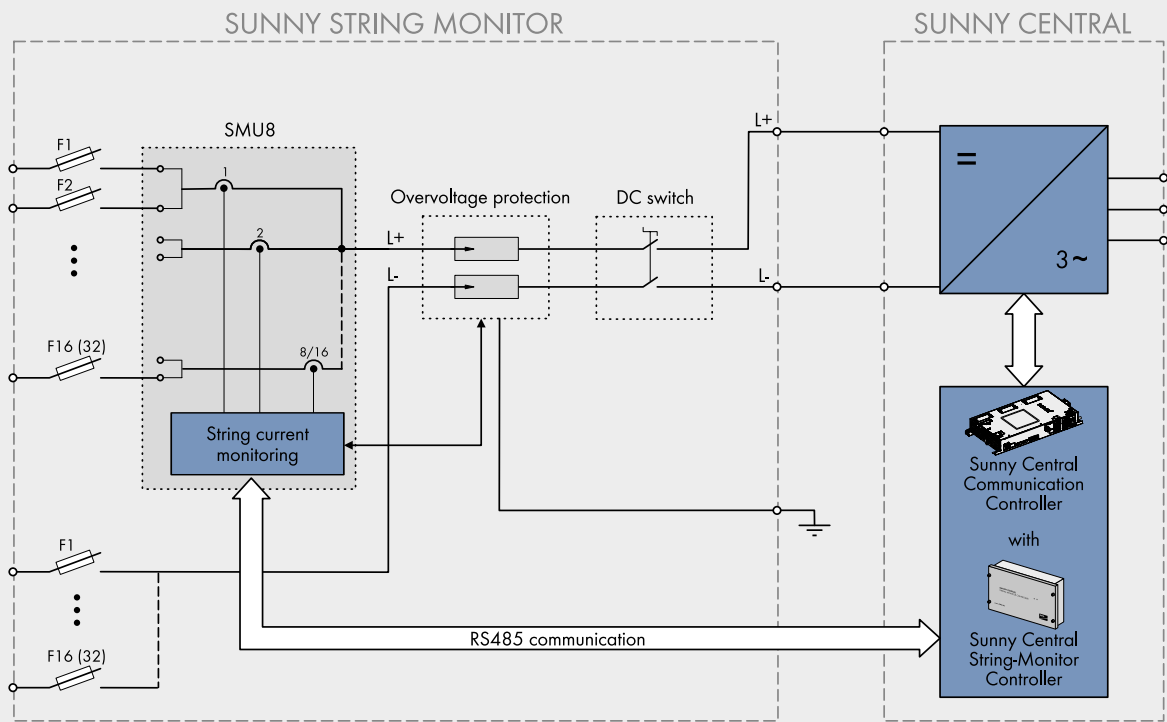
- Reduced costs due to multiple allocation of the measuring channels
- Precise PV yield monitoring with improved measurement accuracy

SUNNY STRING-MONITOR

Insurance for energy yields

Reliability and precision in monitoring systems – The Sunny String-Monitor compares and analyzes individual string currents, which enables you to precisely and reliably monitor your solar energy yields. The Sunny String-Monitor can guarantee the highest level of plant safety and protection for modules by immediately disconnecting defective strings. It is ideally suited for wall and base mounting due to its robust uni-size enclosure. Likewise, its glass-fiber reinforced plastic makes it able to withstand extreme ambient conditions anywhere in the world.

BLOCK CIRCUIT DIAGRAM



PLANT EXAMPLE

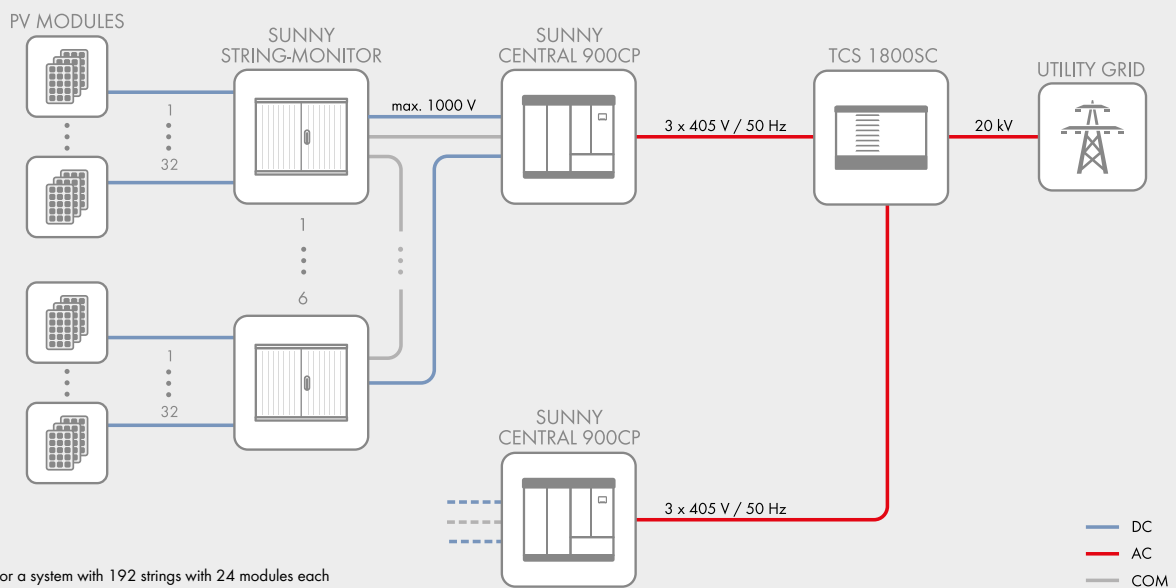


Figure:
 Example for a system with 192 strings with 24 modules each
 (I_{mp} 8 A)
 with a power of 240 Wp

